



# RXI Super Tight Collimator 001

## Features

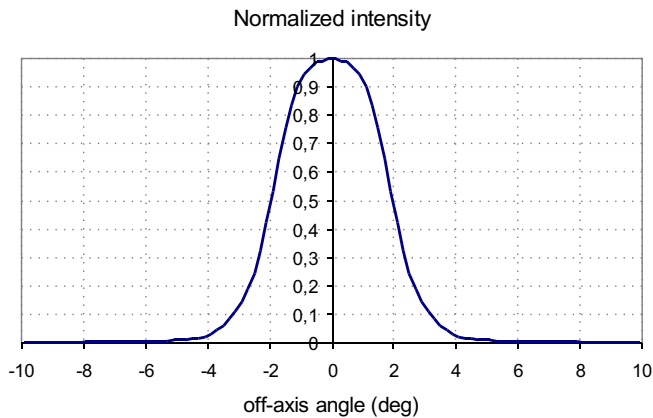
- Ultra compact high intensity LED collimator for Luxeon®\* Lambertian LED light sources
- 36 mm diameter active exit surface, < 8 mm tall from LED bottom surface
- Patented folded optics aspheric design
- Etendue-limited high-efficiency collimation
- Applications: Signalling, task lighting, automotive lighting, architectural lights, emergency lights, flashlights, general illumination

\* www.luxeon.com, www.lumiledsfuture.com

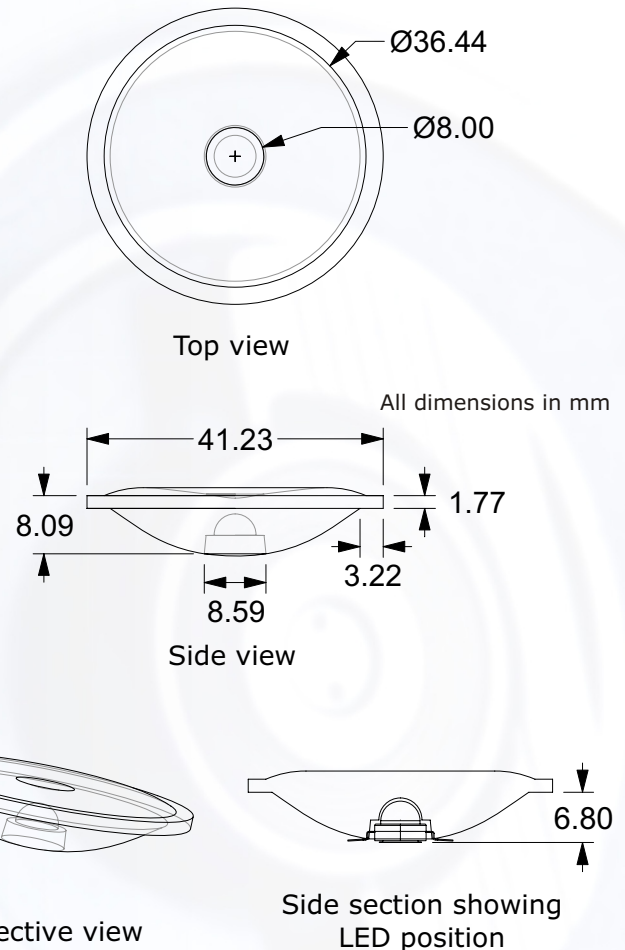


## Optical Performance

- 3.5 - 4 deg FWHM collimation angle (varies slightly with LED colour)
- On axis intensity 75 cd/lm (varies slightly with LED colour)
- 50% Total Efficiency (in 20 deg full angle cone)



## Dimensions



## Light Sources

- RXI Super Tight Collimators are designed for:
  - Luxeon I Lambertian emitters all colours
  - Luxeon I Lambertian Star Hex all colours

LPI part number: **RXI4104LL01**

Release date: 04/06 DS RXI001



**LPI-Europe:** +34  
 Marques de Urquijo, 14, 5ºD  
 28008 Madrid, Spain  
 Main 917 580680  
 Fax 915 596082

**LPI-LLC USA:** +1  
 2400 Lincoln Avenue  
 Altadena, CA 91001  
 Main 626 296 6493  
 Fax 626 296 6488

**LPI-PO:** +852  
 LPI Precision Optics Limited  
 Unit 02, G/F, Photonics Centre  
 2 Science Park East Avenue,  
 Hong Kong Science Park, Shatin, N.T.  
 Main 2428 8812  
 Fax 2144 2566

Enquiry: [info@lpi-llc.com](mailto:info@lpi-llc.com)

Website: [www.lpi-llc.com](http://www.lpi-llc.com)